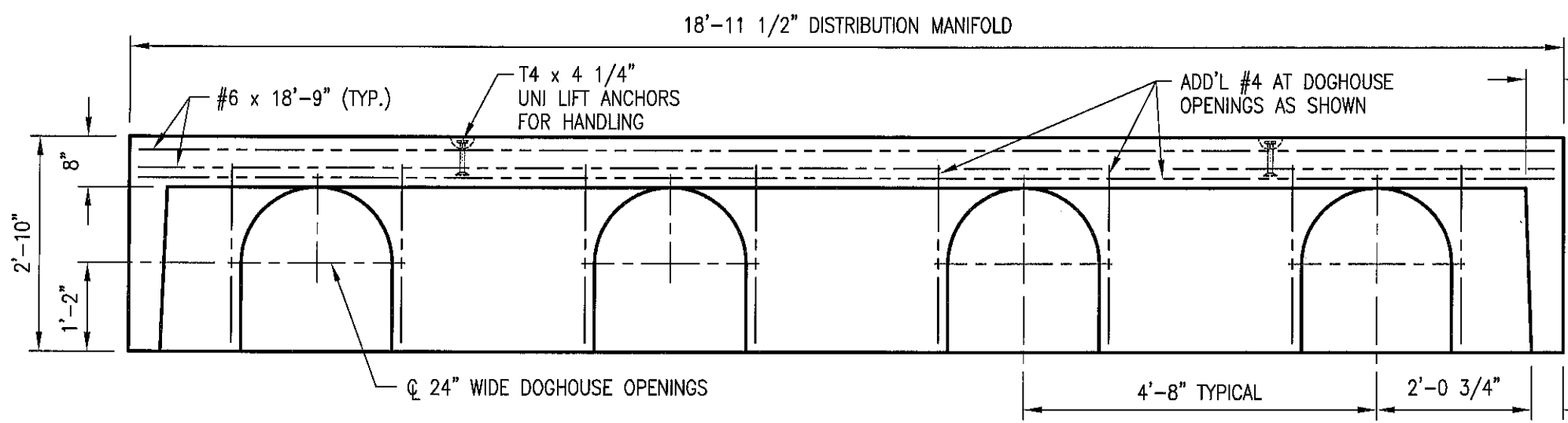
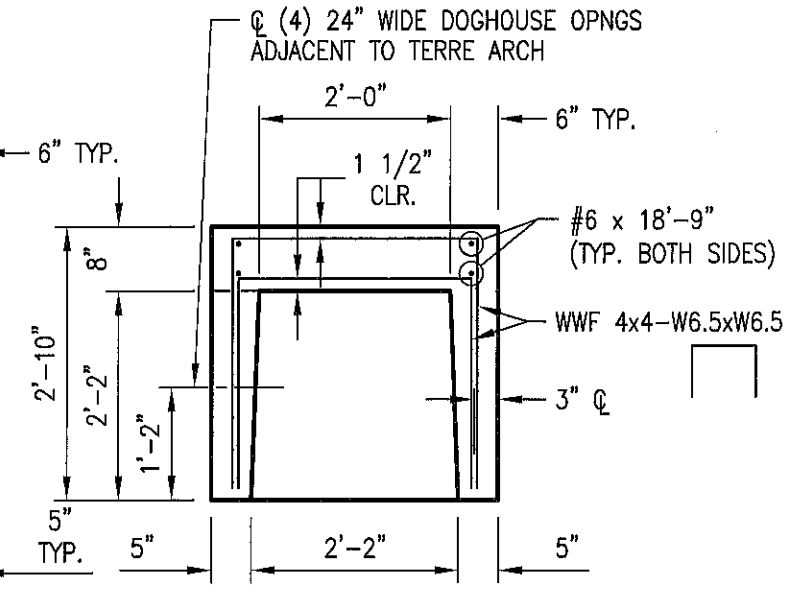


PLAN, TYPICAL DISTRIBUTION MANIFOLD




SECTION A-A



SECTION B-B

1 06-26-12 TPS UPDATED DRAWING

REVISIONS	 TERRE HILL STORMWATER SYSTEMS <i>Improving your world.</i> TERRE HILL, PA. (717)445-3100		
	TA26 TERRE ARCH DISTRIBUTION MANIFOLD		
	JOB:		
	CONT'R:		
	ENG'R:		
BY: RLK	DATE: 9-8-11	SHT. 1 OF 1	

Copyright © 2011 Terre Hill Concrete Products

FILE no.