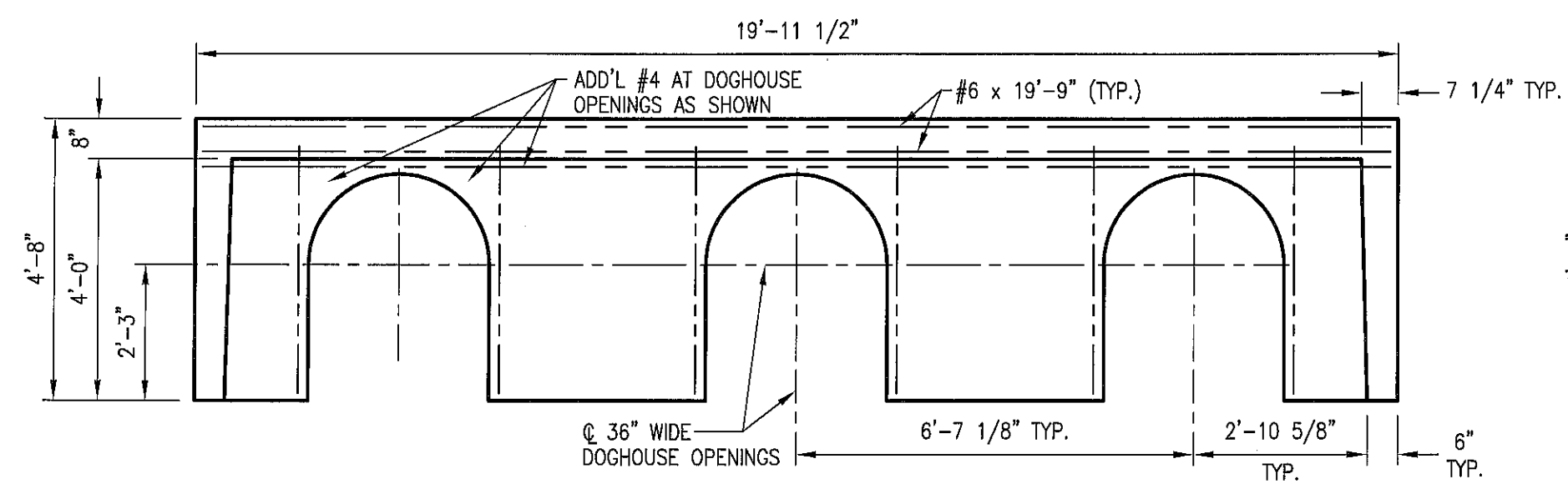
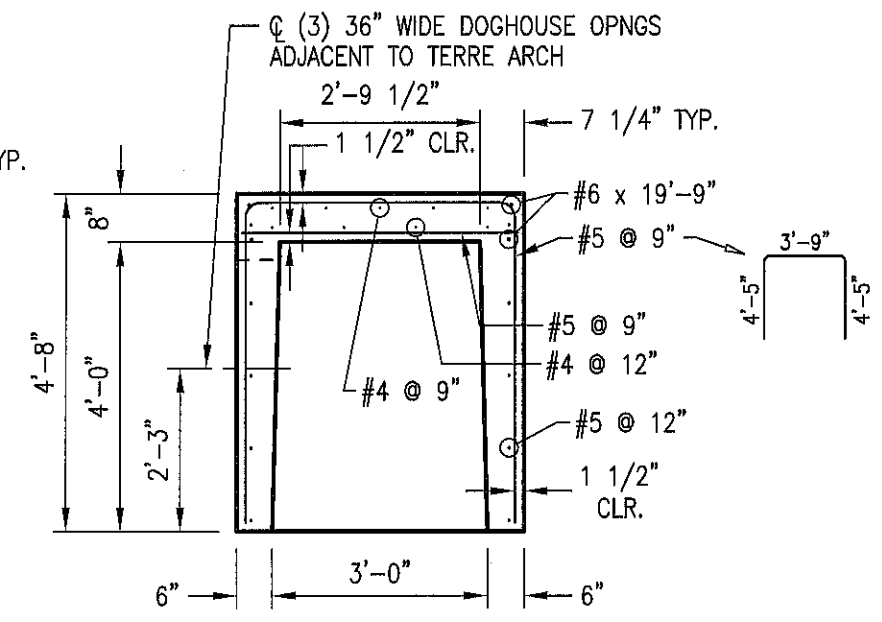


PLAN, TYPICAL DISTRIBUTION MANIFOLD




SECTION A-A



SECTION B-B

06-27-12 TPS UPDATED DRAWING

 TERRE HILL, PA. (717)445-3100		
TA48 TERRE ARCH DISTRIBUTION MANIFOLD		
JOB:		
CONT'R:		
ENG'R:		
BY: RLK	DATE: 9-9-11	SHT. 1 OF 1

REVISIONS