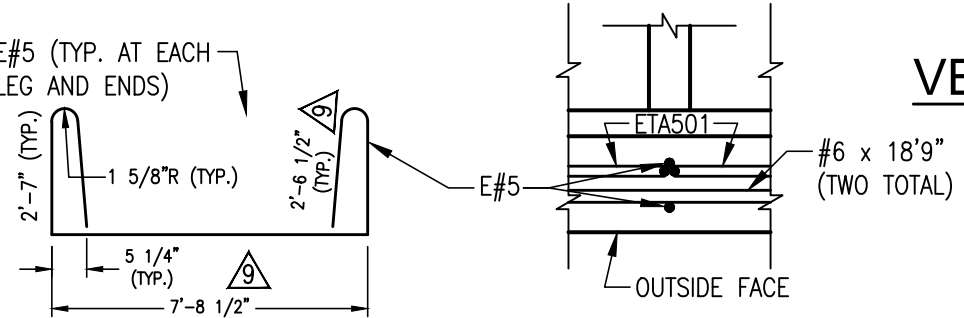
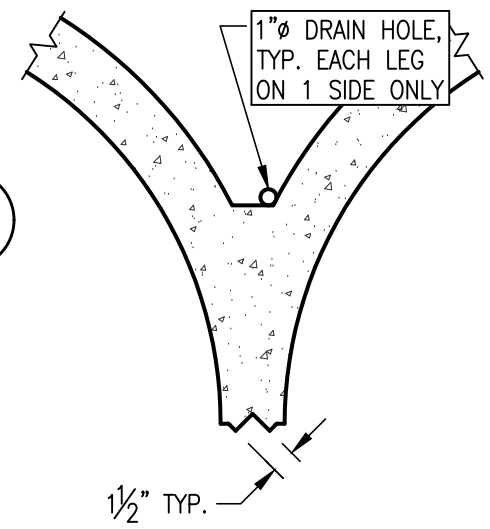
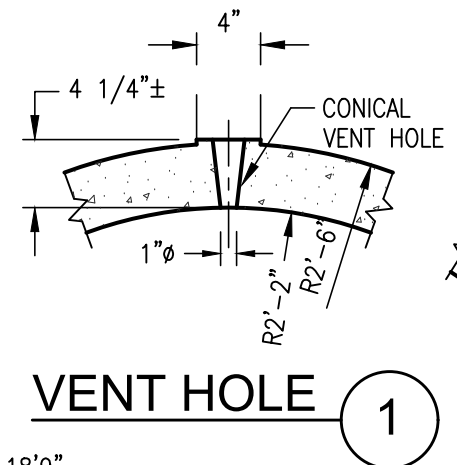


SIDE VIEW

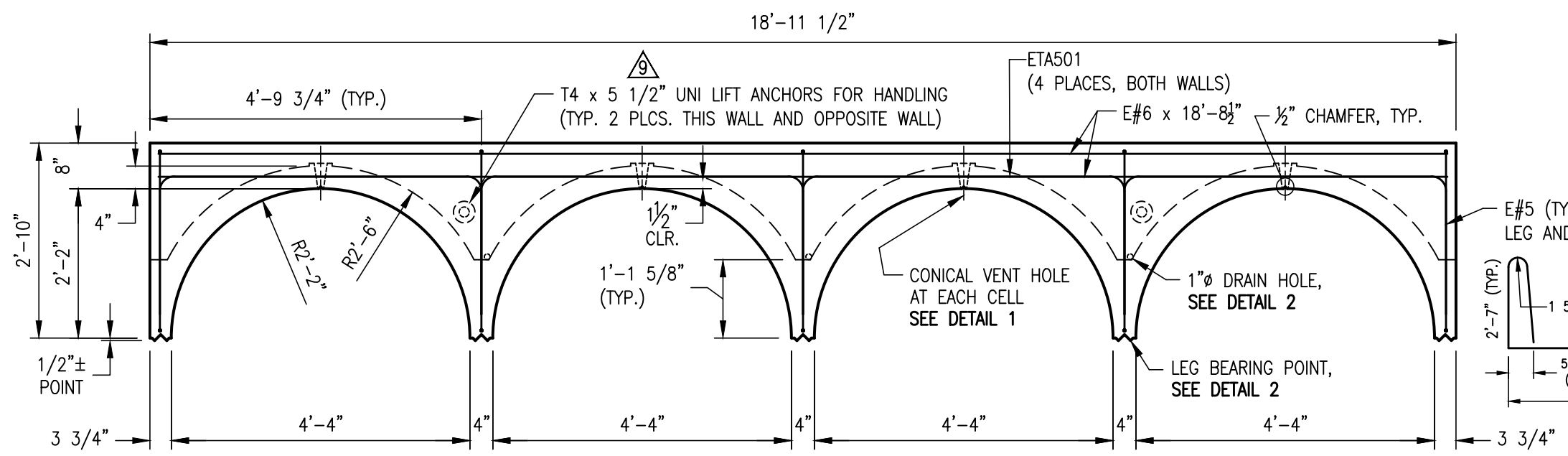


EXPANDED VIEW AT TOP OF LEG

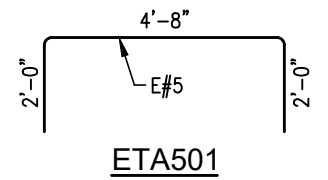


DRAIN HOLE

FLAT BOTTOM LEGS ARE AN ACCEPTABLE ALTERNATE FOR BOTH STONE AND CONCRETE APPLICATIONS



FRONT VIEW



11-11-24 RLK MINOR DESIGN CHANGES

TERRE HILL CONCRETE PRODUCTS <i>No better solution.</i> TERRE HILL, PA. (717)445-3100	
TERRE ARCH™ 26 WITH REINFORCING	
JOB:	
CONT'R:	
ENG'R:	
BY:RLK	DATE:2-24-12
SHT.1 OF 1	